



aluminium louvres and solar shading systems

ARM-50 LOUVRES SYSTEM

Arfen Louvres system provides perfect wind and water insulation by easy installation process. Manufactured according to EN 12020 by using AL Mg Si 0.5 aluminium. Lightweight, strong and durable. The frame is created after the louvres dimensions are determined. Hanger profile is screwed in such a way that one goes at 15 cm vertically according to the internal dimension of created frame profile. On the hanger profiles, the coverslip profiles are placed at a vertical level of 5 cm. Made of 100% recyclable eco-friendly aluminum material systems are produced as anodized or elastrostatic painted. On the coast and industrial areas, we recommend seaside quality paint which ARFEN can provide it for you. Arfen Louvres systems are produced in RAL9010 as standard color. Please indicate, if you have any other RAL colours selections.



a: Gap
c: Coverslip height

$$\text{Apparent Free Area} = \frac{a}{c} = 0,51$$

$$\text{Physical Space Area} = \frac{b}{c} = 0,31$$

Coverslip application height: 50mm

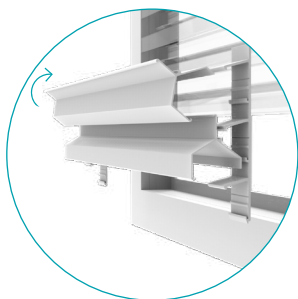
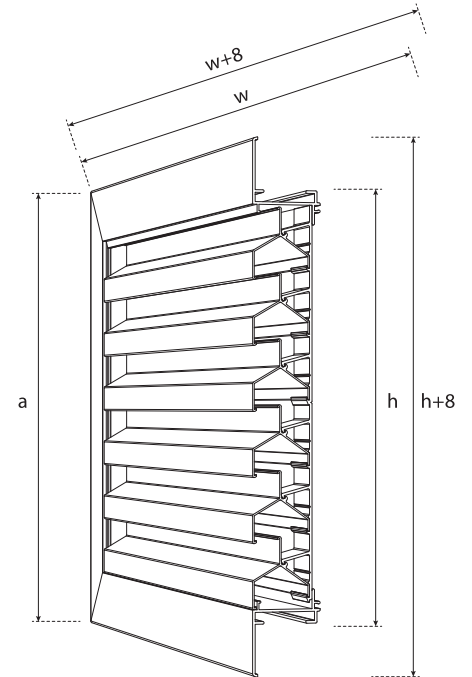
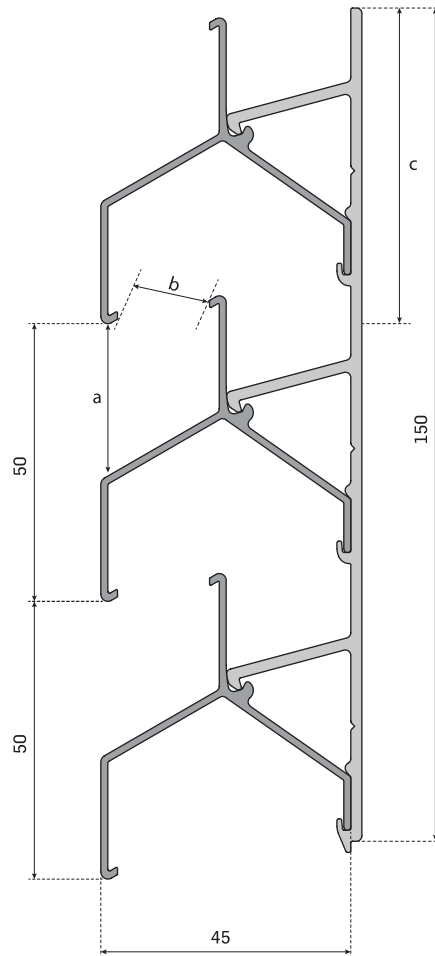
Coverslip height: 50 mm

Frame width: 58 MM

Stainless Steel Mesh(swatter): Optional

2,3 mm x 2,3 mm 304 SS Grade or

6 mm x 6 mm 304 SS Grade Total



AR-M-50

Total Weight: 11-13 kg/m² (Depands on the dimensions)

Can be provided as Powder coated and anodised.

Bird Screen is not required. Purchase order dimensions will be; gap + 8 cm outside dimensions

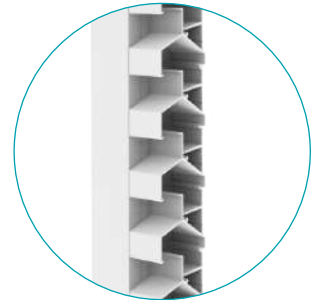
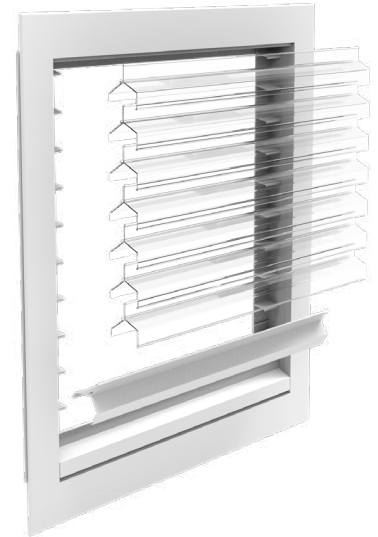
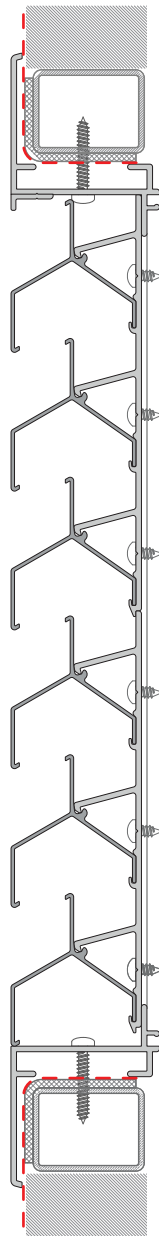
For example; if the gap has 60 cm x 90 cm outside dimensions

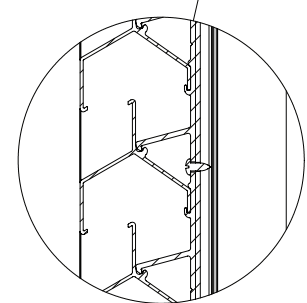
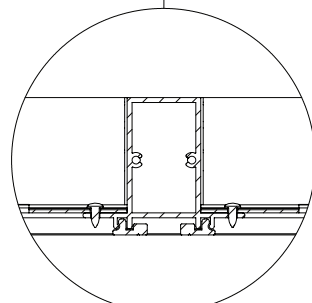
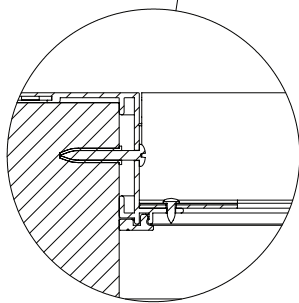
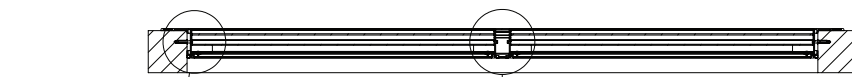
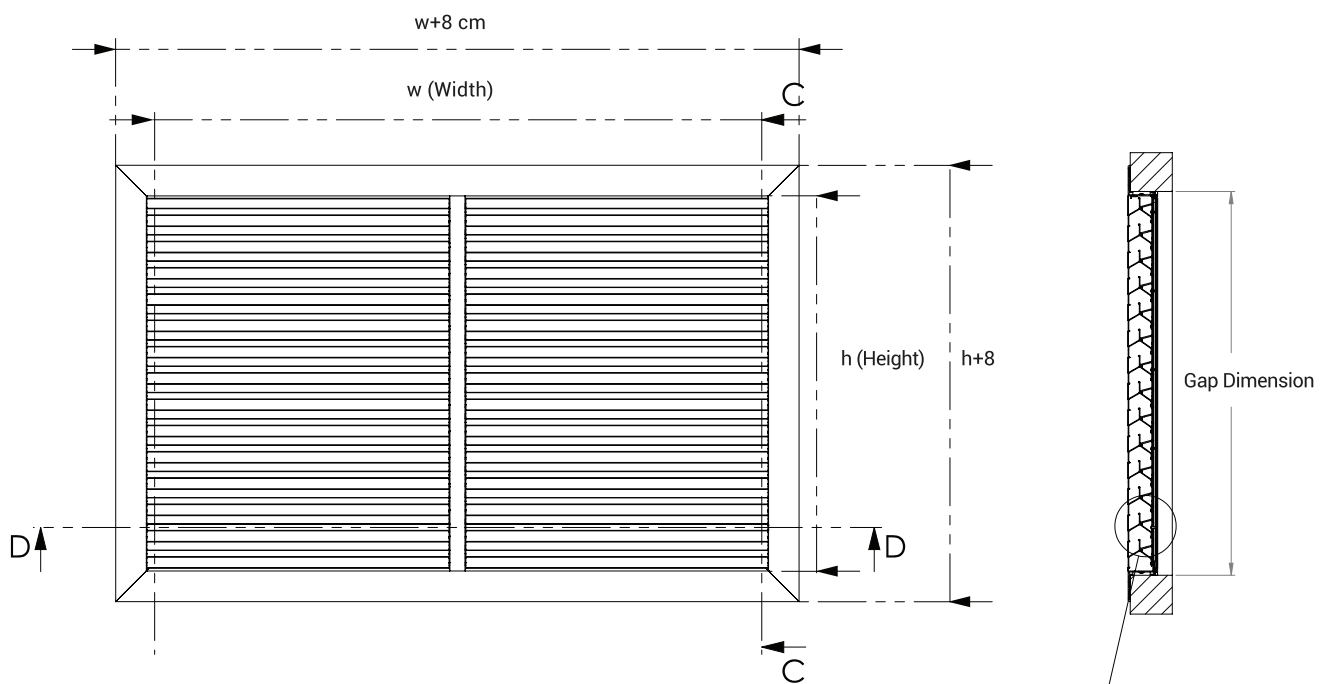
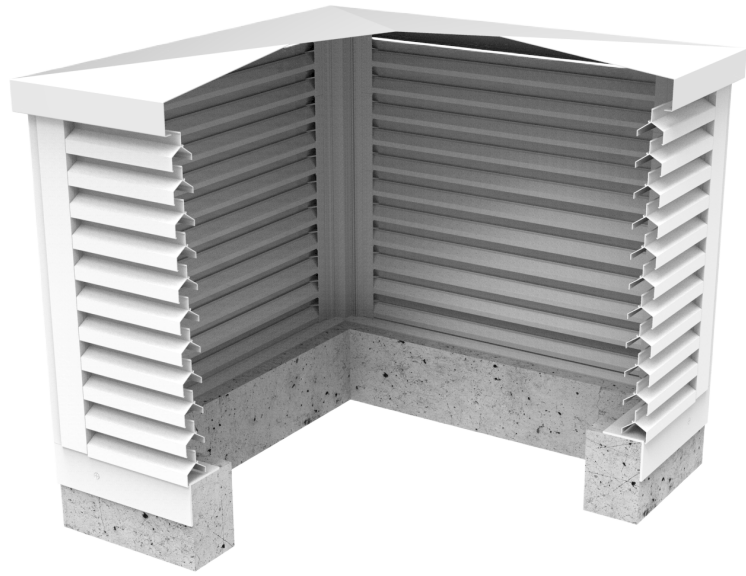
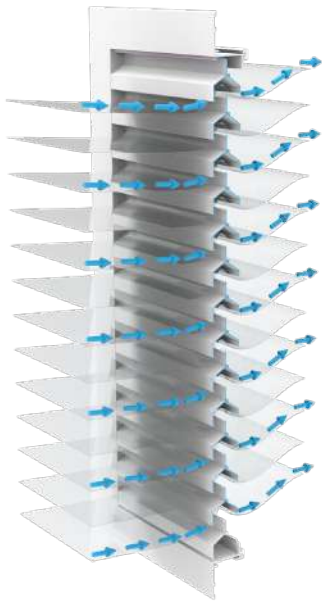
Purchase order dimensions will be 68 cm x 98 cm



Standard Dimensions: 480x680- 580x880 - 680x980
Packing: Arfen Louvres system packed with transparent balloon packing. Protected against impacts by means of EPS foam in sizes of 1 meter and more.

AR-M-50 Louvres and It's Frame





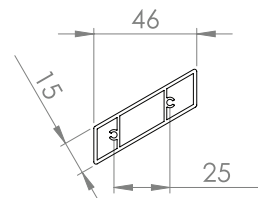
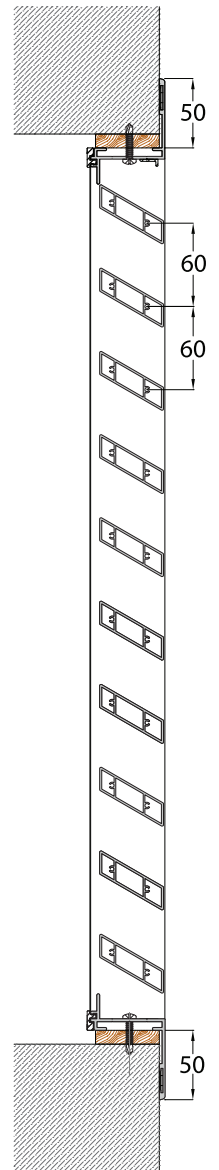
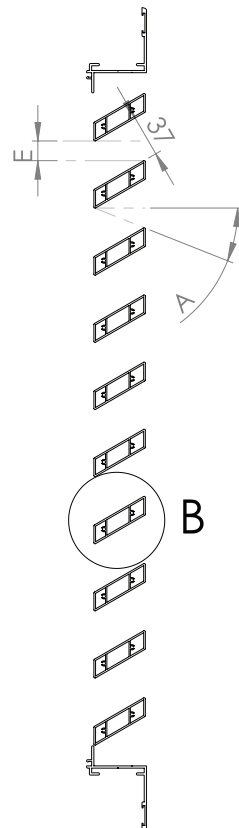
» CORNER DETAIL

» LOUVRES CONNECTION DETAIL

» ARM-50 LOUVRES DETAIL

ARM-50-1 LOUVRES SYSTEM

Similar to ARM-50 Louvres system but ARM-50-1 is fixed louvres system which has hidden screw application from side edges.



» ARM-50-1 LOUVRES COVERSIP

ARM-45 LOUVRES SYSTEM

ARM-45 louvres systems are easy to apply, economical louvres systems and high apparent gap. Arfen Louvres systems produced in RAL9010 as standard color. Please indicate, if you have any other RAL colours selections. Applied as dovetail the coverslips to the bracket profiles on the frame.

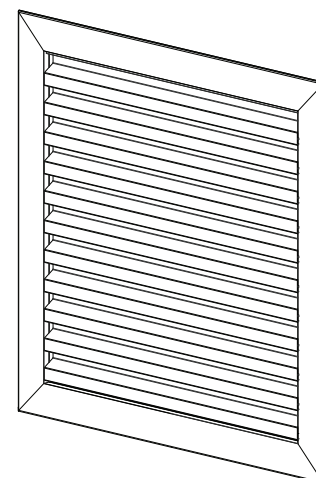
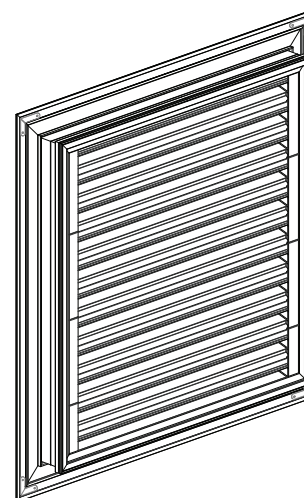
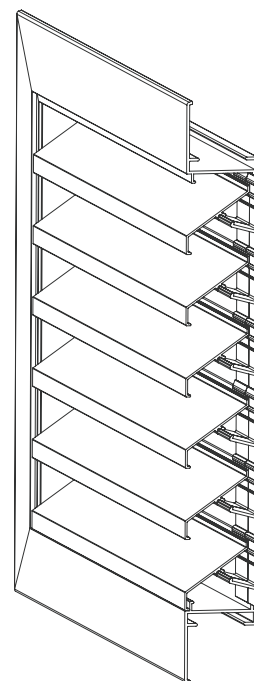
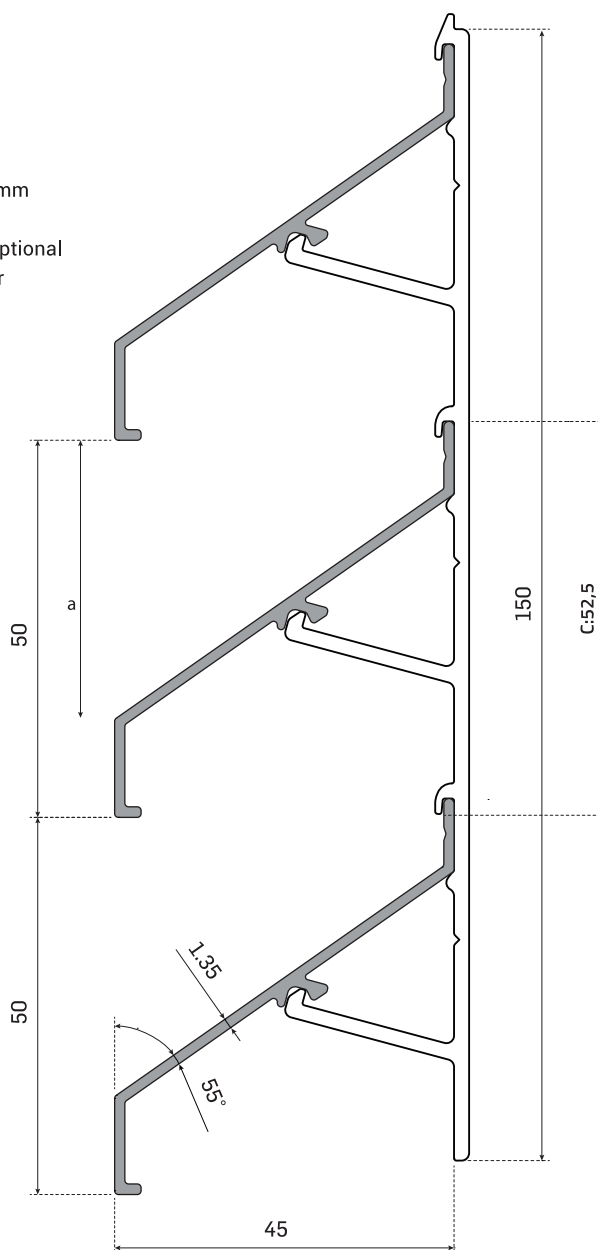
a: Gap

c: Coverslip height

$$\text{Apparent Free Area} = \frac{a}{c} = 0,71$$

$$\text{Physical Space Area} = \frac{b}{c} = 0,55$$

Coverslip application height : 50 mm
 Coverslip height: 50 mm
 Stainless Steel Mesh (swatter) : Optional
 2,3 mm x 2,3 mm 304 SS Grade or
 6 mm x 6 mm 304 SS Grade



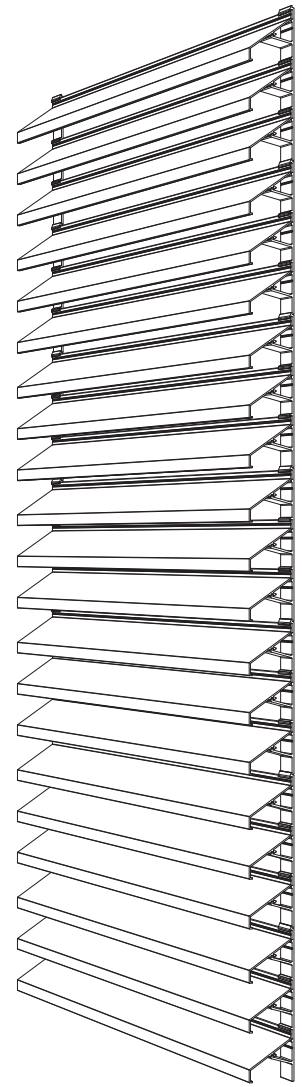
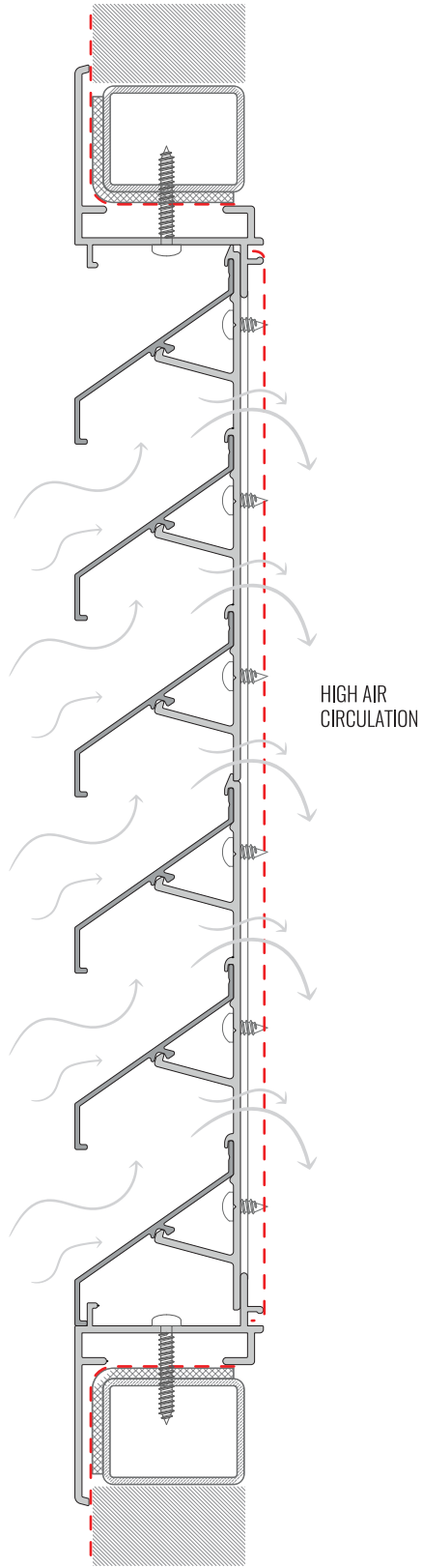
AR-M-45

Total Weight: 8-11 kg/m²

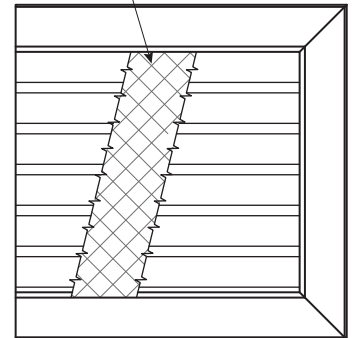
Can be provided Powder coated and anodised.



AR-M-45 Louvres and It's Frame



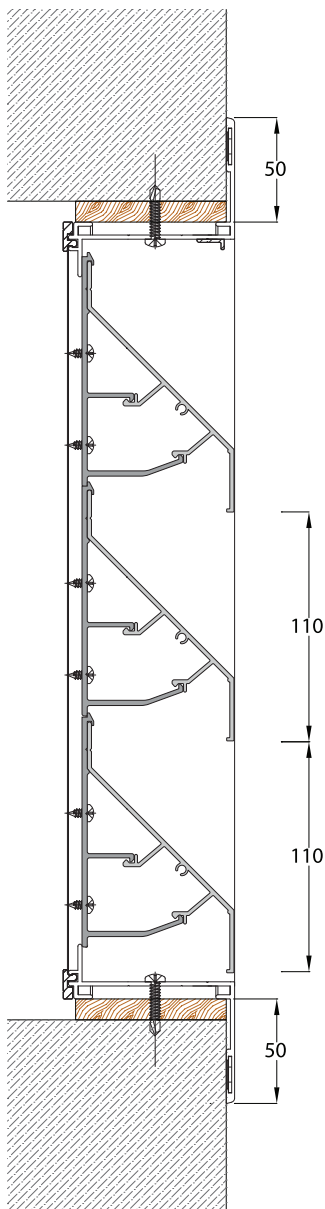
Bird Screen



ARM-75 LOUVRES SYSTEM

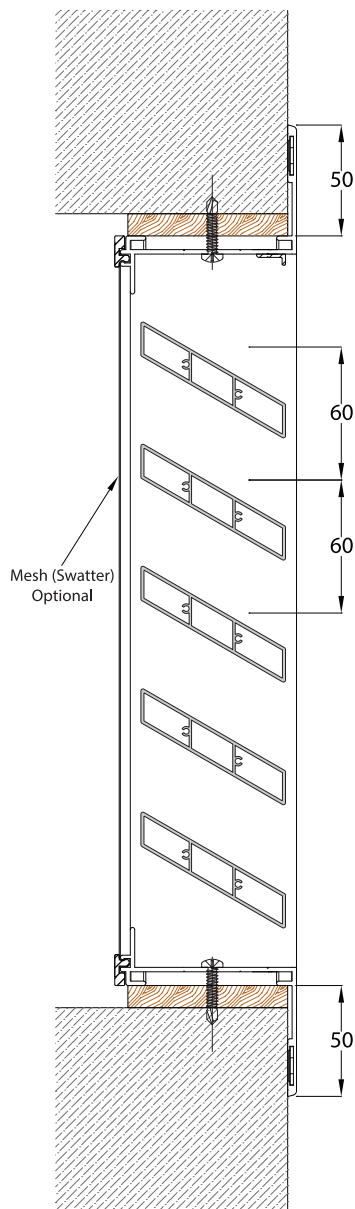
ARM-75 louvres systems are easy to apply, economical louvres systems and high apparent gap. Installation is can be done by screw mounted or dovetail to each other for different types of coverslips. 304 grade stainless seel mesh(swatter) is optional.

» ARM-75



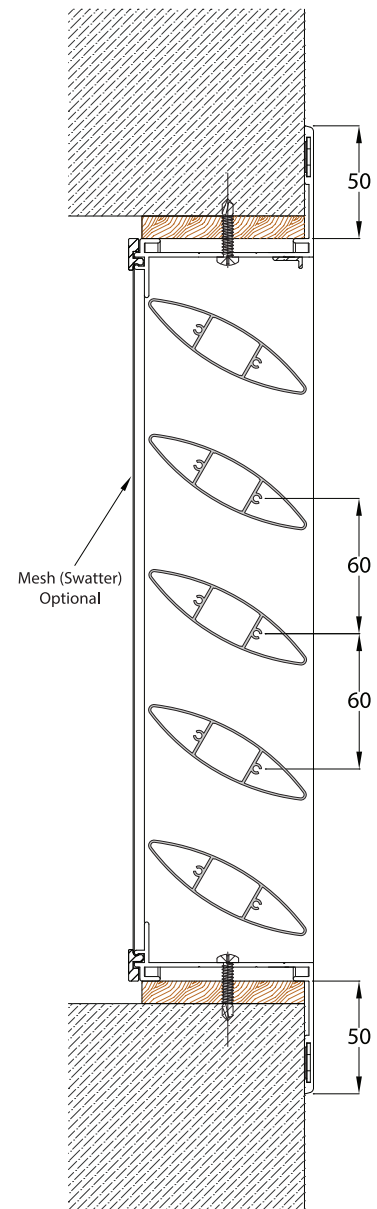
Installation is can be done by screw mounted or dovetail to each other

» ARM-75-1



Installation is can be done by screw mounted

» ARM-75-2

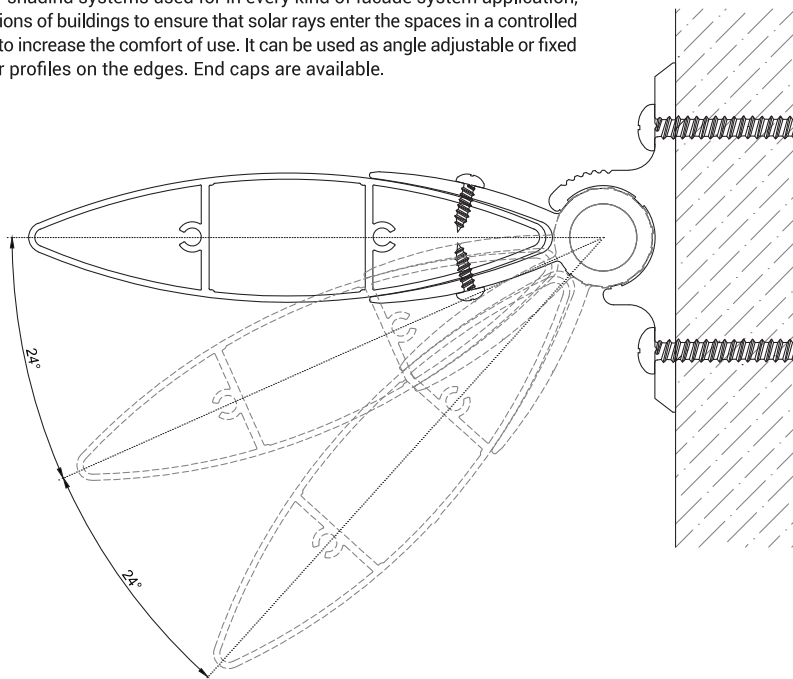


Installation is can be done by screw mounted. Decorative.

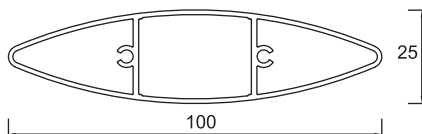


SOLAR SHADING SYSTEMS

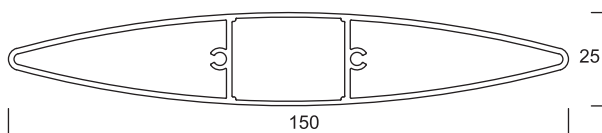
ARFEN Solar shading systems used for in every kind of facade system application, or glass sections of buildings to ensure that solar rays enter the spaces in a controlled manner and to increase the comfort of use. It can be used as angle adjustable or fixed to the carrier profiles on the edges. End caps are available.



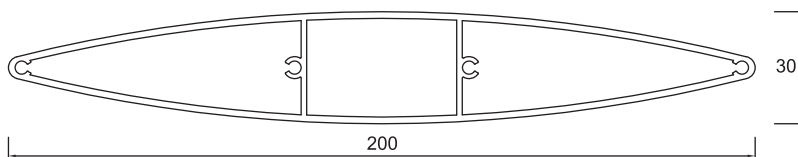
GK100



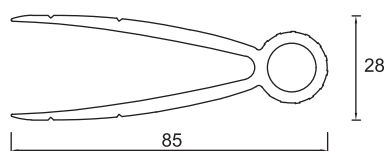
GK150



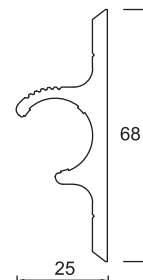
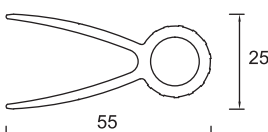
GK200



GK200 M1 ENARTHROSIS



GK100 ENARTHROSIS



ENARTHROSIS HOLDER

